

ASSEMBLY AND INSTALLATION INSTRUCTIONS FOR STRAIGHT AND SWING LADDERS

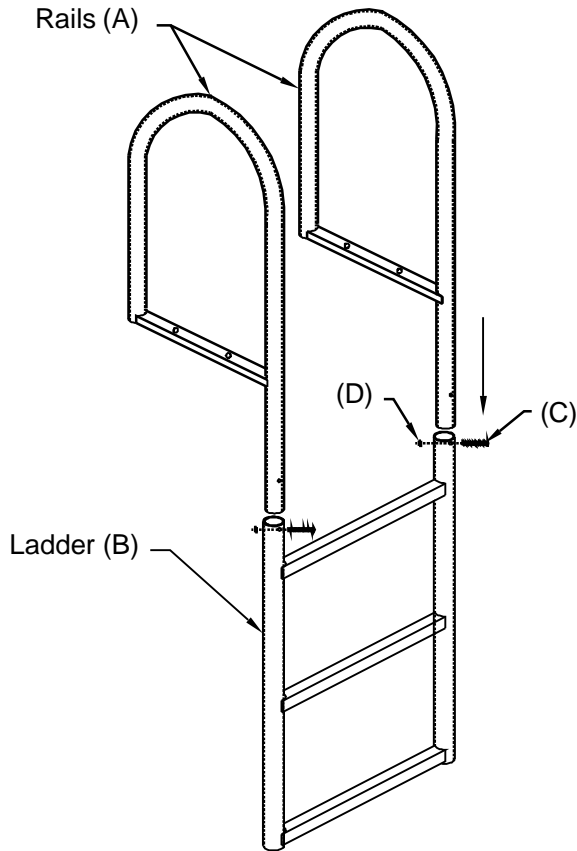


Fig. (A): Straight Ladder

Rails (A) With Swing Brackets

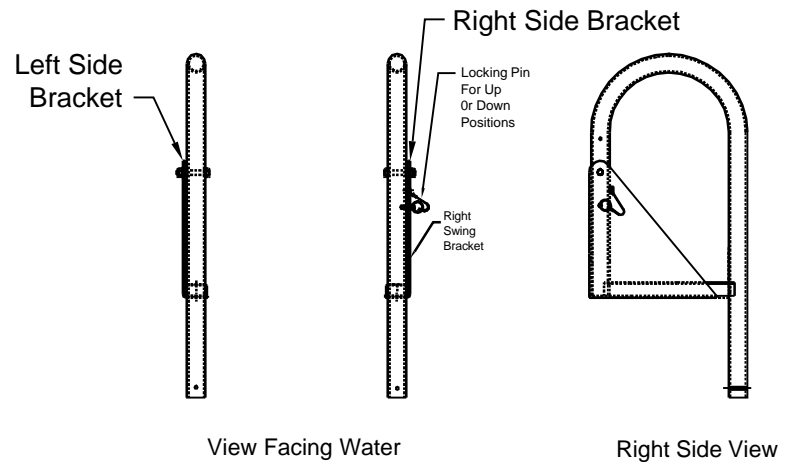


Fig. (B): Swing Ladder

1. Insert Rails (A) into Ladder (B). Do not turn the Rails when inserting, they should slide straight and freely.
2. Line up the drilled holes in Rails (A) to Ladder (B).
3. Insert supplied Bolts (C) so that the heads of the bolts are on the "water side" of the Ladder (B).
4. Attach Nuts (D) and Tighten.
5. Install assembled ladder using $\frac{1}{2}$ " stainless steel or hot dipped galvanized bolts or screws appropriate to the application (not supplied).